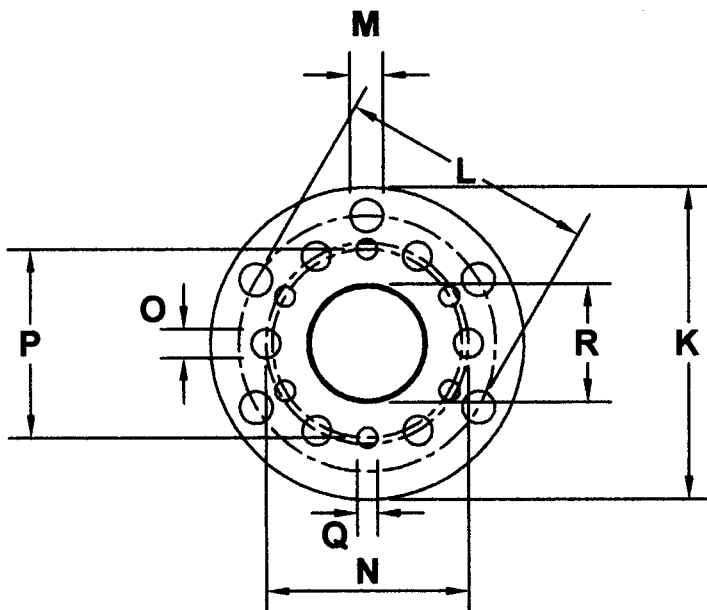


ALTERNATIVE GEARBOX FITTING

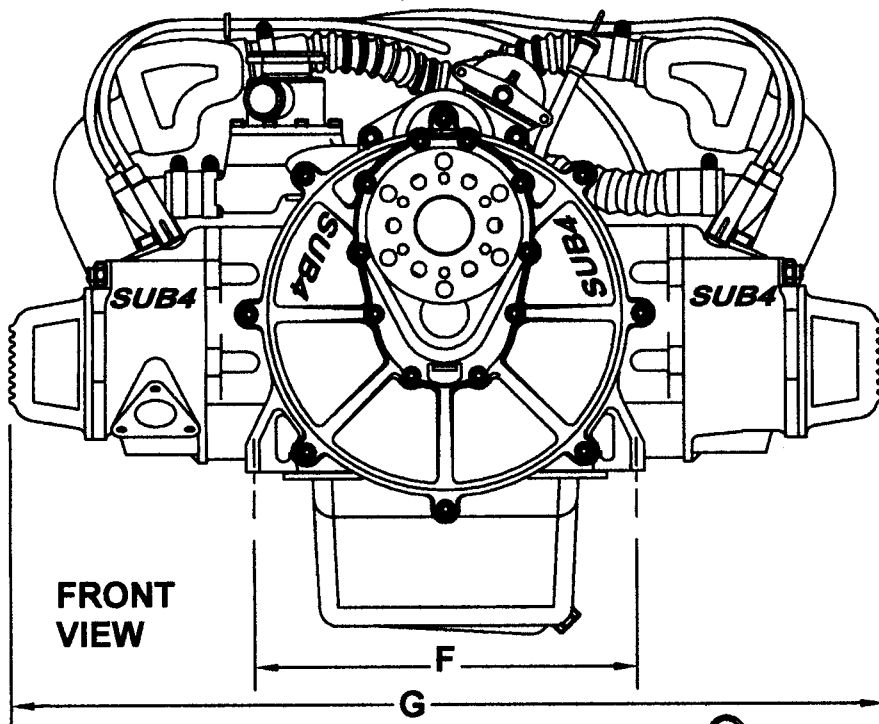
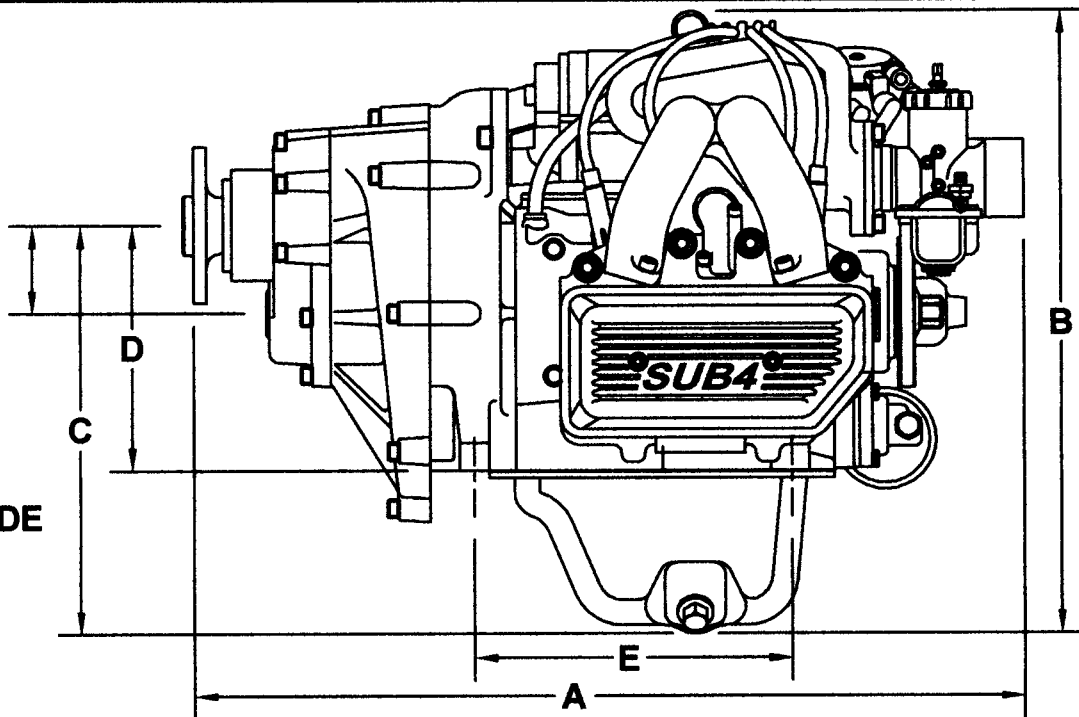


ROTEX FLANGE DETAILS

H	255	10
J	55	2.2
K	124	4.882
L	101.6	4.0
M	13 ^{+0.018} _{-0.025}	0.512 ^{+0.0007} _{-0.001}
N	80	3.15
O	11.5	0.453
P	75	2.953
Q	8 ^{+0.2}	0.315 ^{+0.008}
R	47 ^{-0.05}	1.850 ^{-0.002}
S	8.5	0.335

OFFSET FROM
CRANKSHAFT 72.5mm

RIGHT SIDE
VIEW



FRONT
VIEW

DIM	mm	INCHES
A	610	24
B	480	18.9
C	320	12.6
D	195	7.7
E *	250	9.8
F *	302	11.9
G	690	27.2

* DENOTES MOUNTING POINTS

LEFT SIDE
VIEW

