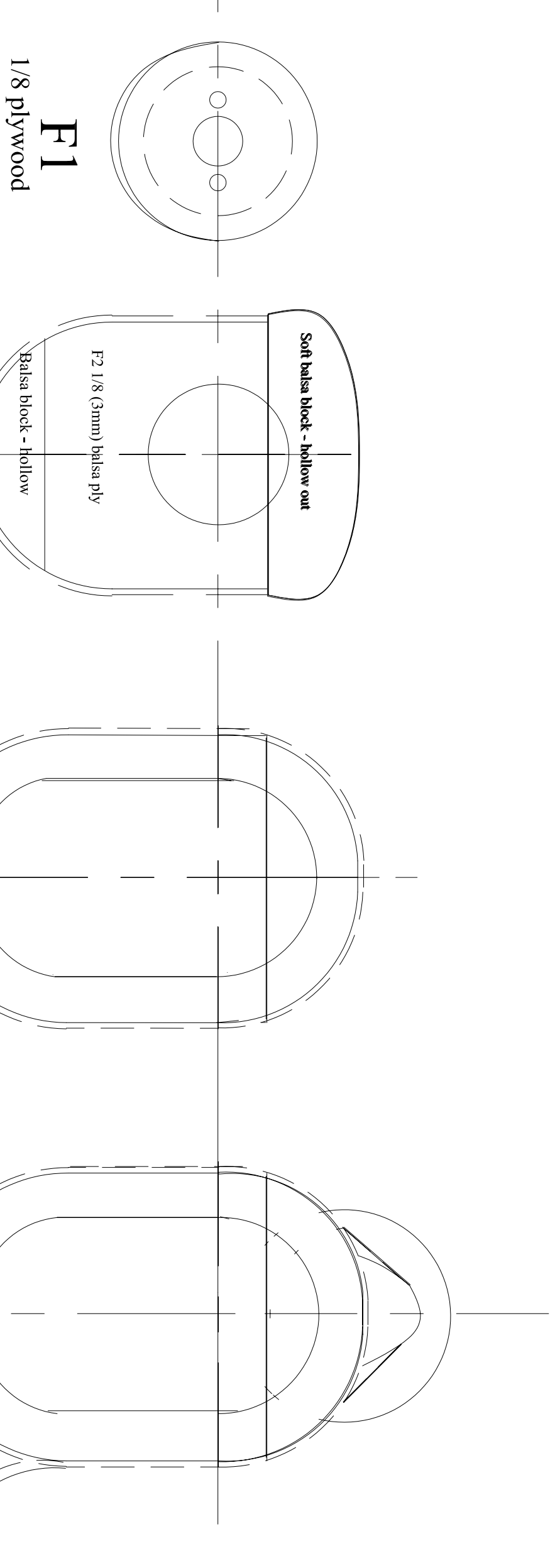
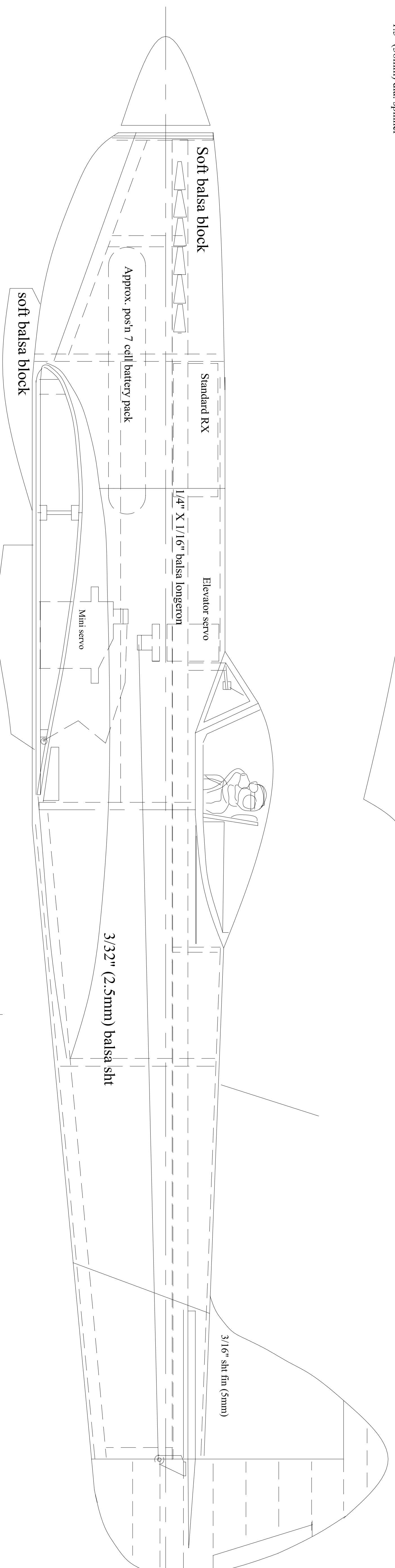
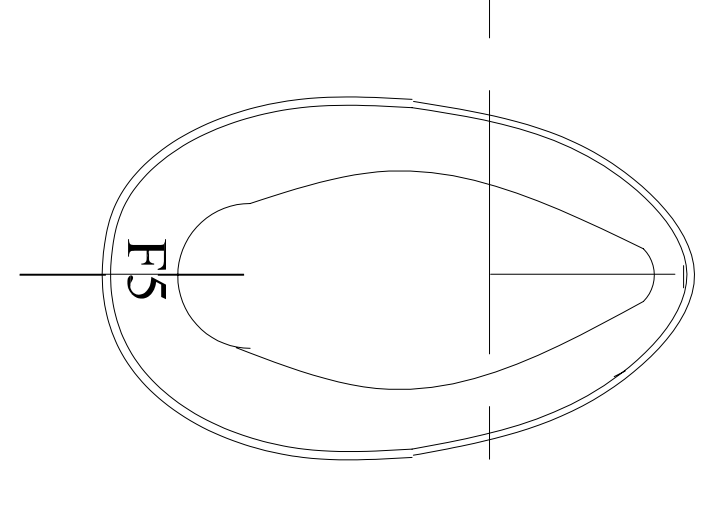


Shape of top cowling

1.5" (38mm) dia spinner



ALL FORMERS 1/8" (2mm) Balsa Ply



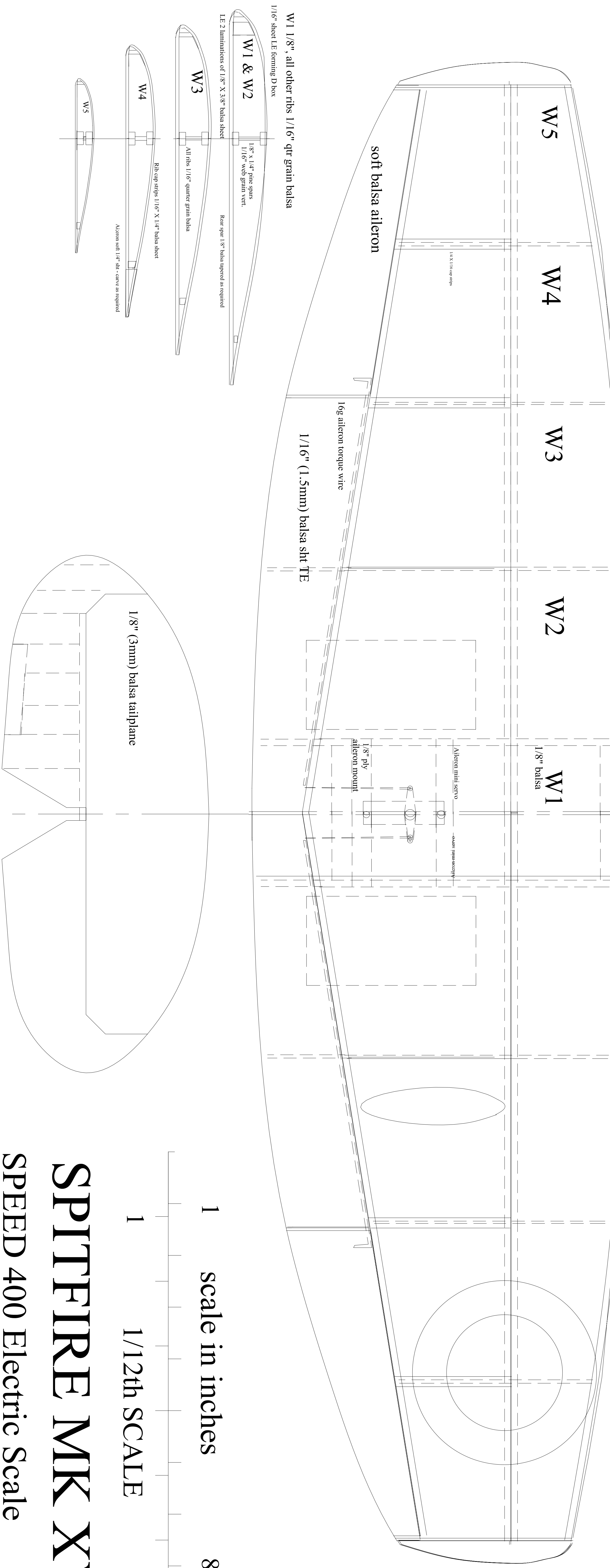
## NOTES

1. General outline is accurate.
2. Formers are not accurate

3. Formers drawn for ease of building
4. Increase scale X 1.25 for 1/12th scale combat.
5. For combat use .15 plain bearing engine - OS15.
6. Build very light - can carve out blue foam - cover in brown paper and white glue - dissolve blue foam for a very light fuselage
7. This mark and the MK XIV were the prettiest Spitfires.
8. MK XVI had the American Packard Merlin engine
9. Experienced builders only please!!

[alexp@ozdocs.net.au](mailto:alexp@ozdocs.net.au)

Laminated 1/8" X 3/8" balsa LE formed wet round cardboard template



W1 1/8", all other ribs 1/16" qr grain balsa

1/16" sheet LE forming D box

W1 & W2

LE 2 laminations of 1/8" X .38" balsa sheet

W3

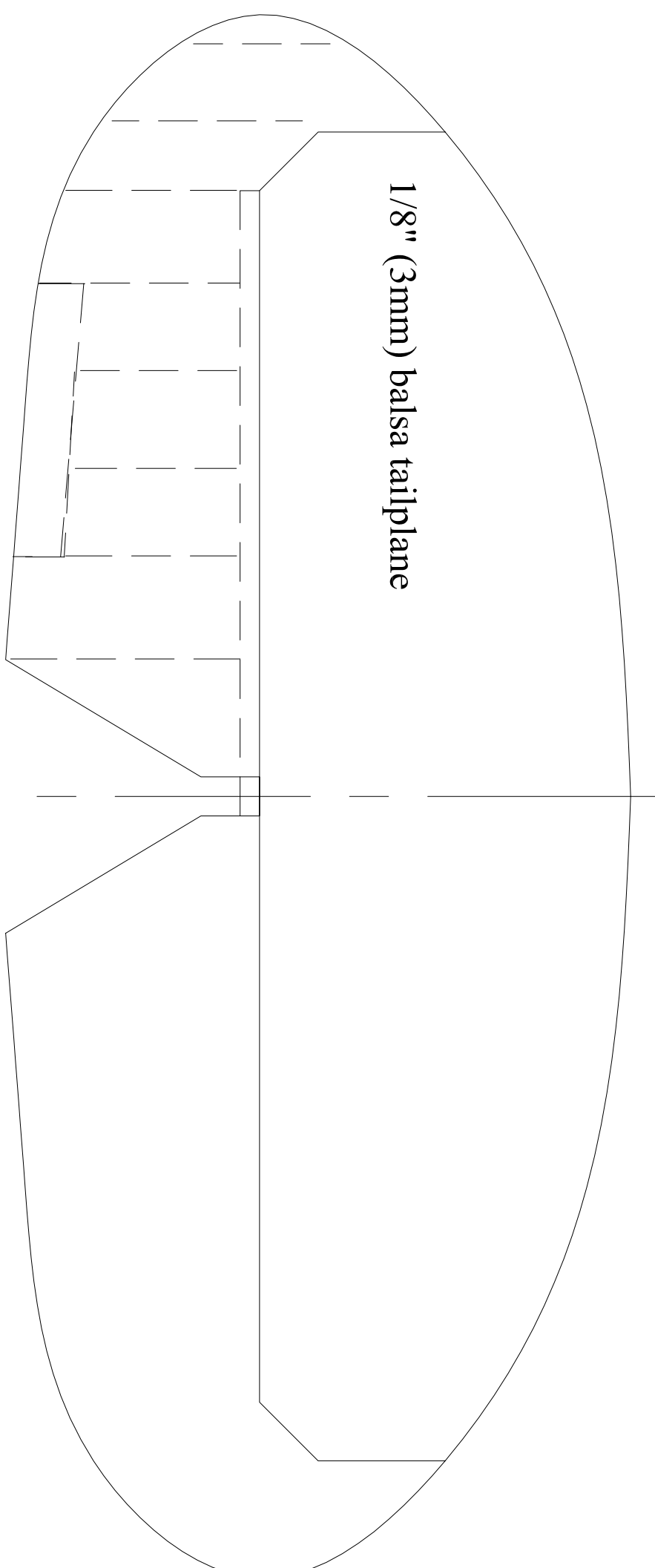
All ribs 1/16" quarter grain balsa

W4

Ribs cap strips 1/16" X 1/4" balsa sheet

W5

Aileron with 1/8" ply - cover as required



1 scale in inches 8 Speed 400 SCALE

1 1/12th SCALE 8

# SPITFIRE MK XVI

SPEED 400 Electric Scale

29" span (0.75m)

Alex Pedashenko - VH2059

August 1997