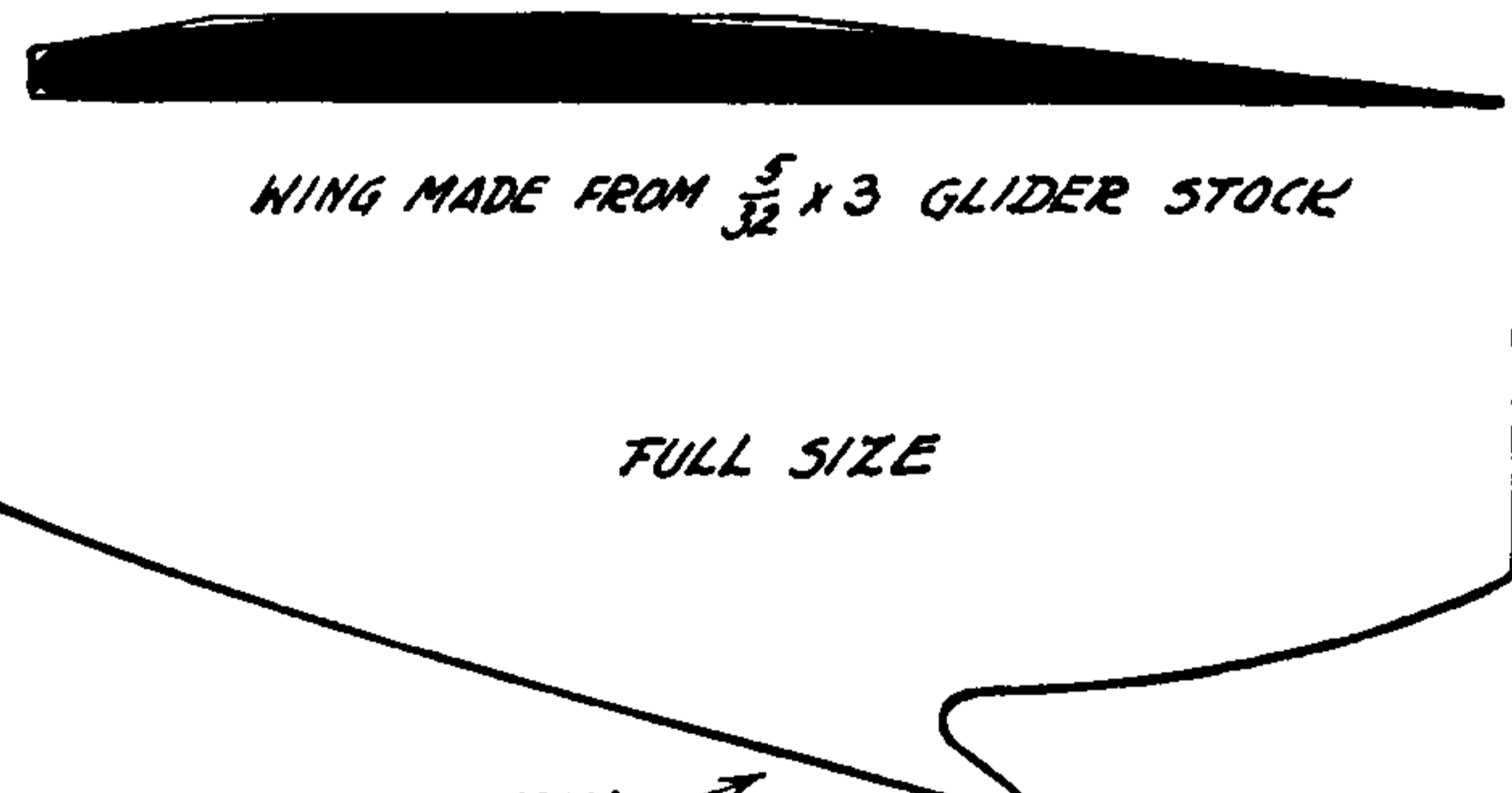
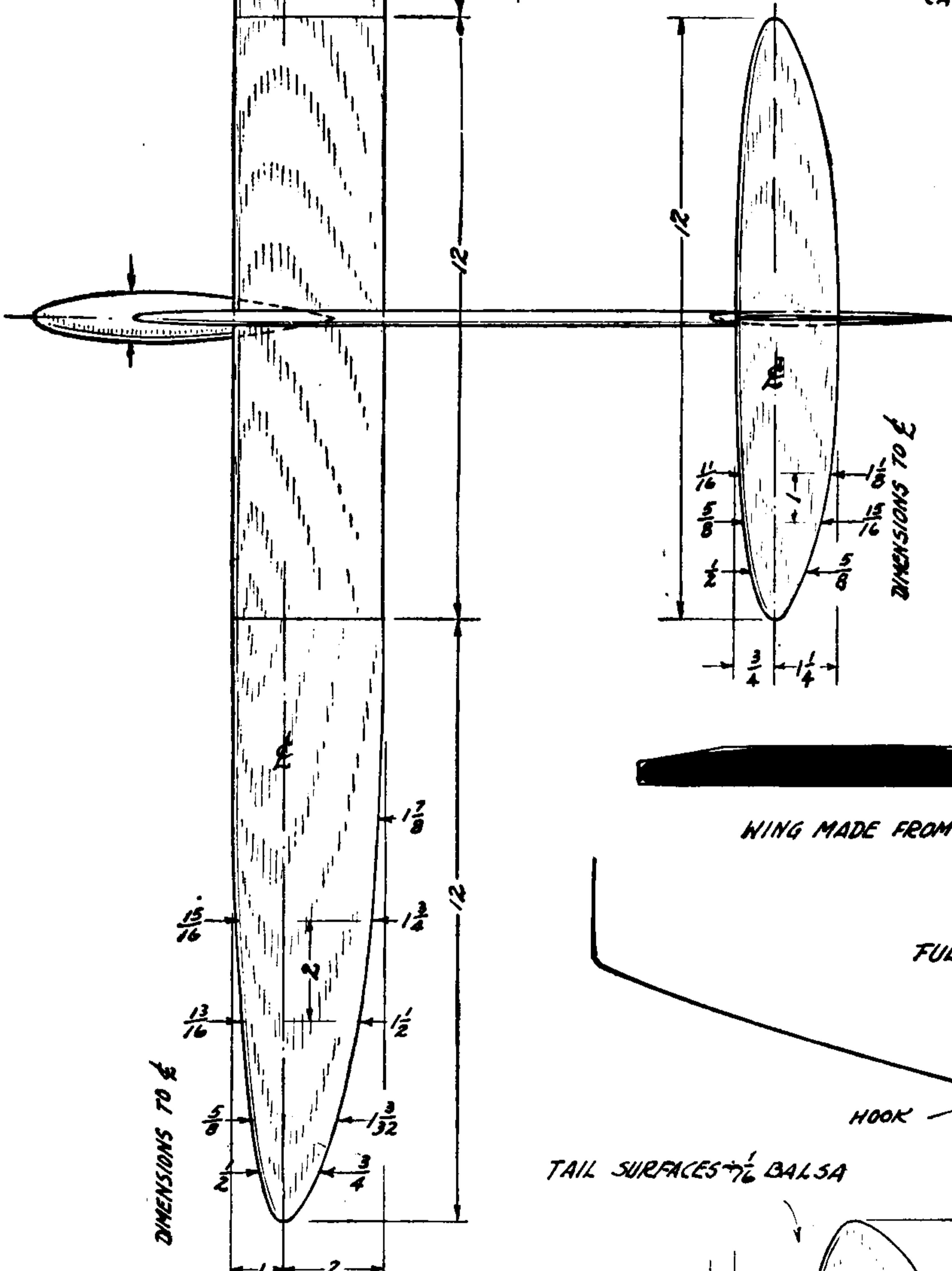


EvD I
 SLOPE SOAKER AND
 CATAPULT GLIDER
 WING LOADING 3 oz. per 100 sq. in.
 GLIDING RATIO 12:1
 BEST TIME 18 min.
 ON CATAPULT LAUNCH
 (ELIGIBLE FOR FAI CONTESTS)
 DESIGNED BY JOHN ZAIG



TAIL SURFACES 7/16 Balsa

