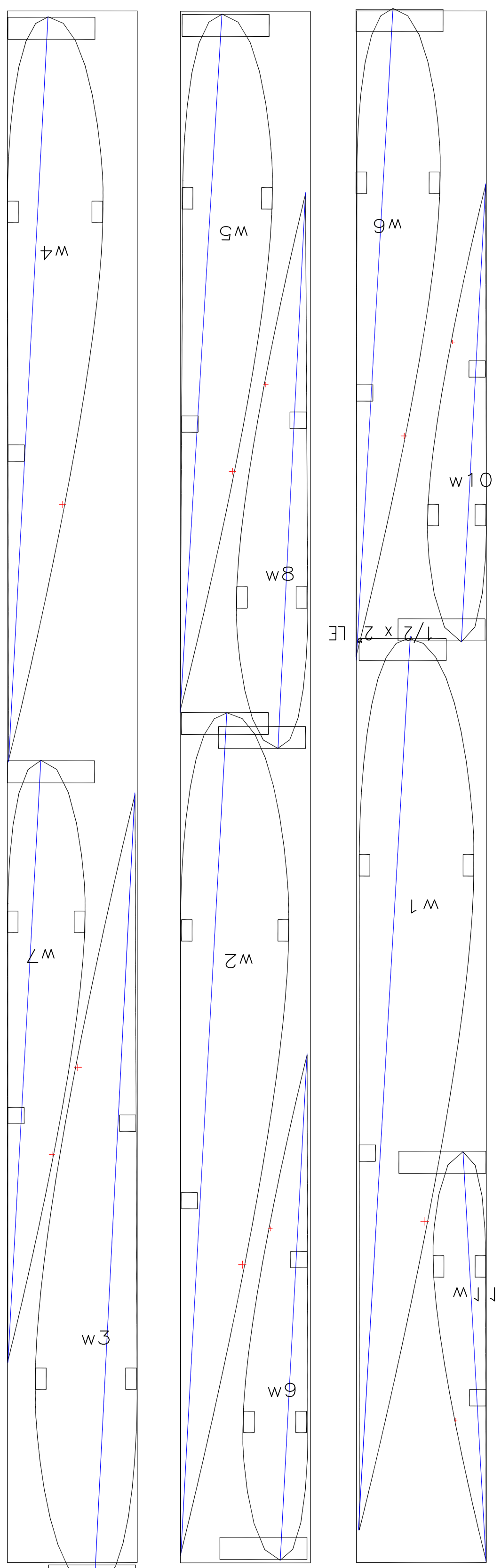
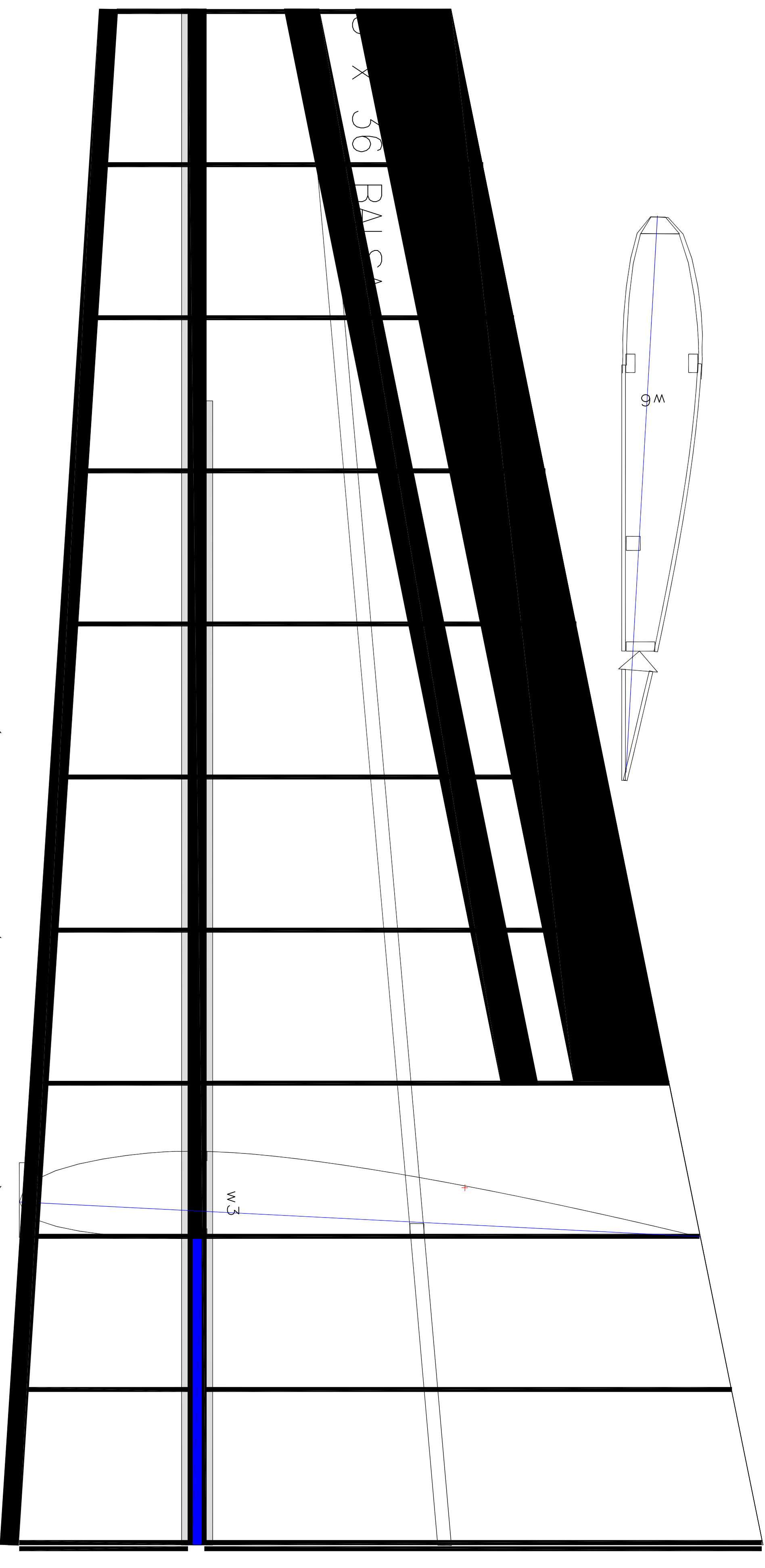
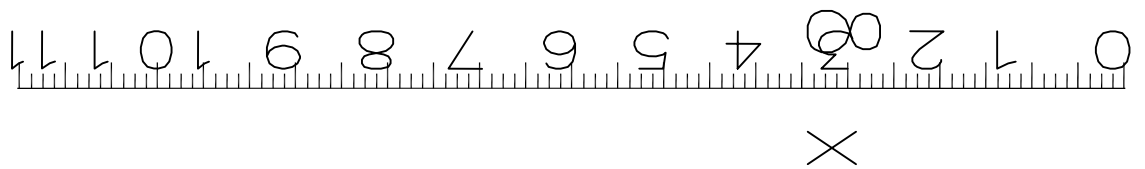
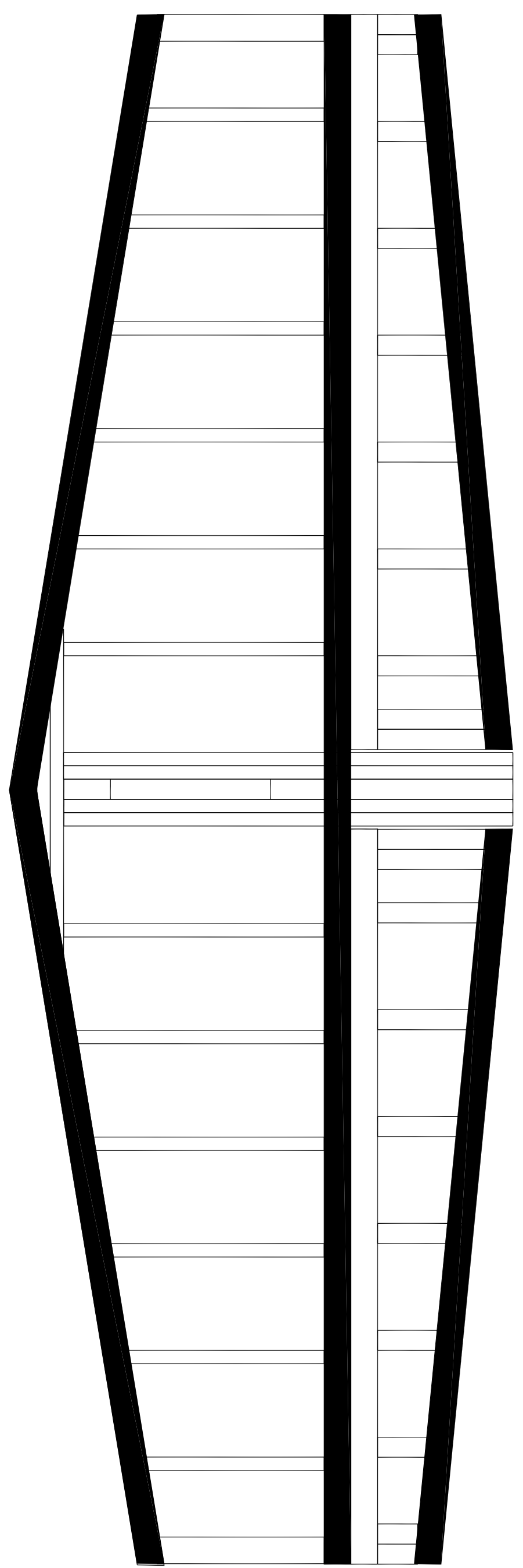


SCALE OUTLINE



W1 Thru W 11 RIB Layout (typical) 3 SHEETS 1/8"



SortofScale P51 Mustang for use with Ryobi 31cc Conversion Engine
Tom Rhodes, tomr@xtalwind.net if you have any questions

All Shear Webs are exactly 4" wide (Easy to get 3/32 balsa that size)

