

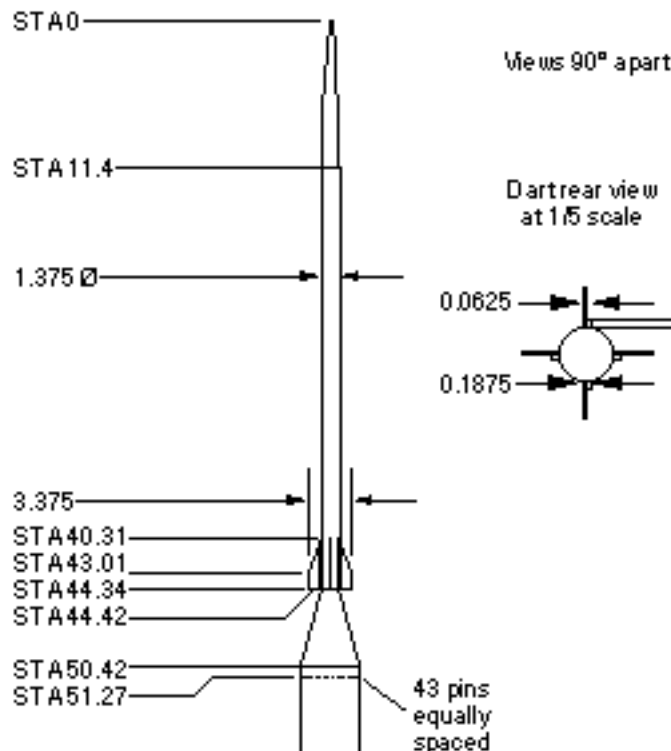
Hop-Dart
 1/15 Scale
 Dimensions in inches
 Drawn by Peter Alway
 Researched by
 Richard B. Morrow

 White
 Silver

Spring steel band with split lug mates with launch rail, Snaps away at launch

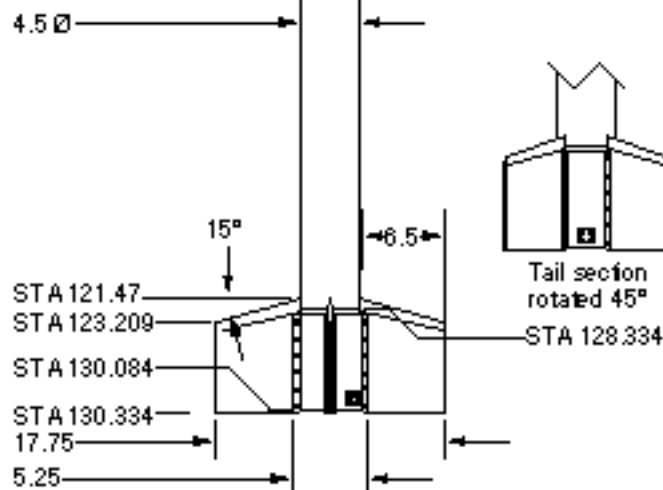
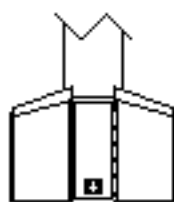
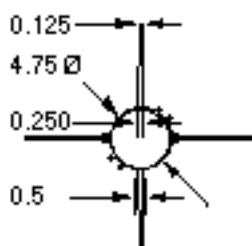


Nameplate at 1/12 scale, black and silver.



All pins, screws, etc. are flush with surface

Booster rear view



Manufacturer decal, full size for dart, 1/12 size for booster