

SA-5 Gammon (Griffon)

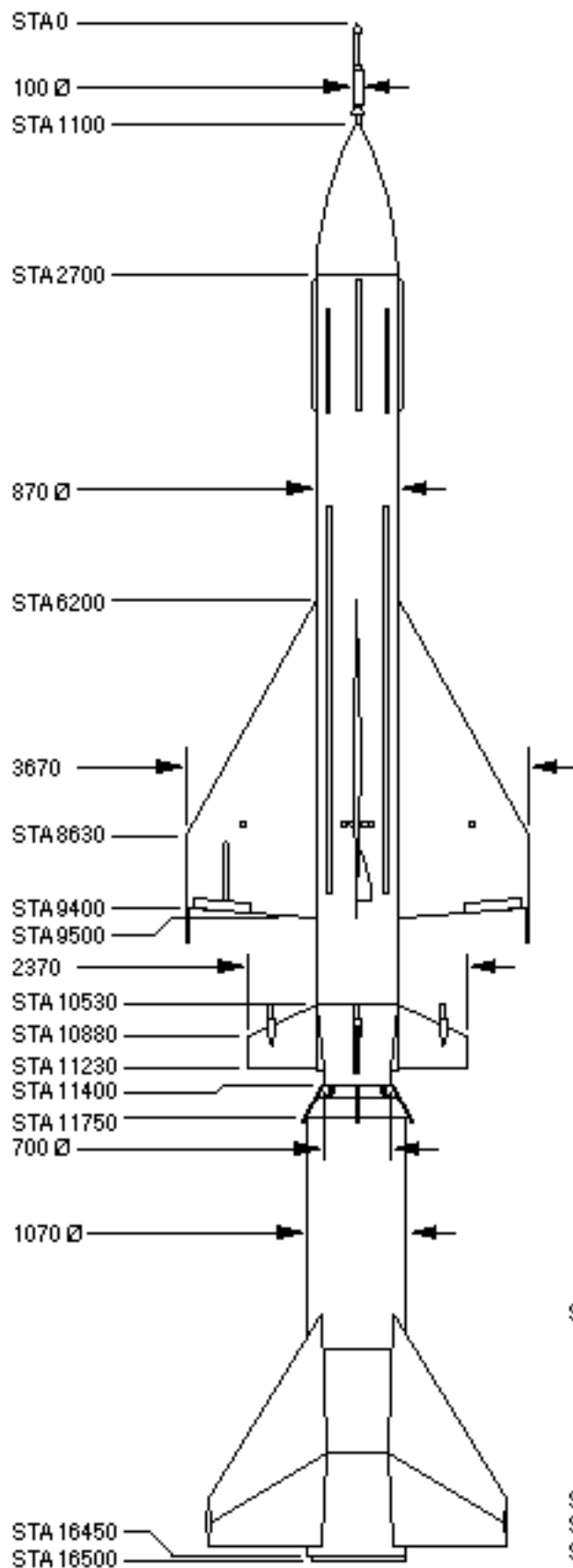
1/75 scale

Dimensions in millimeters

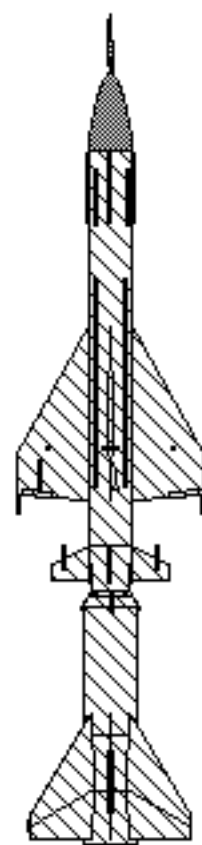
© 1994 Peter Alway

Sources:

Radziecki Przeciwpocisk Rakiet,
Krzysztof Fukusze wicz, *Artyfakst*
9/1971.



Note:
STA (station number)
refers to the distance
in millimeters from the
tip of the nose.
Ø indicates diameter.



Views 45° apart

