

1/4" Balsa L.E.

1/4" Balsa Tip

Foam Core Wing

1/16" M.W. JOINER

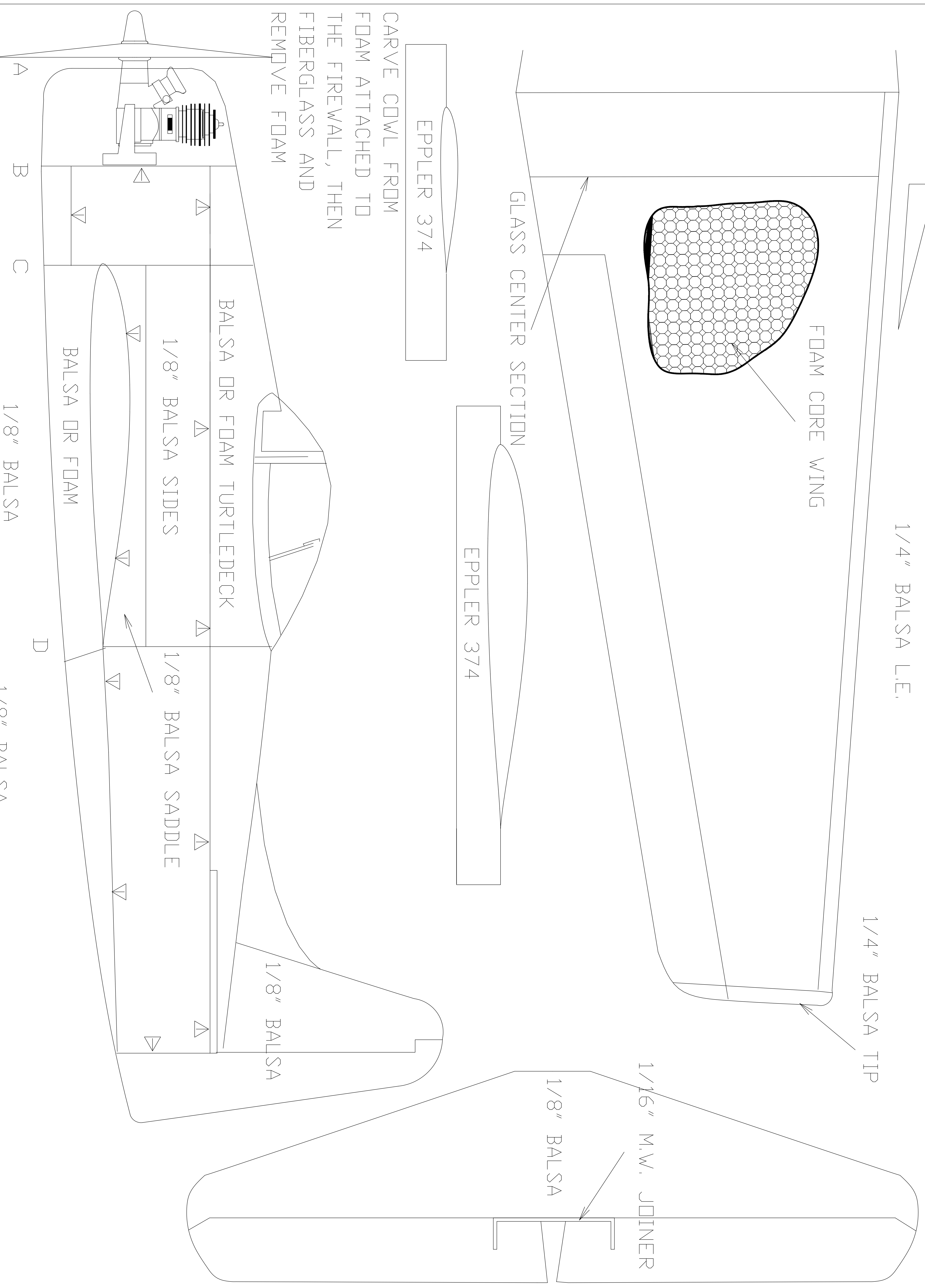
1/8" Balsa

GLASS CENTER SECTION

EPPLE 374

EPPLE 374

CARVE COWL FROM
FOAM ATTACHED TO
THE FIREWALL, THEN
FIBERGLASS AND
REMOVE FOAM



5" X 3" PRDP
SHOWN

A

B

C

D

Balsa or Foam Turtledeck

1/8" Balsa Sides

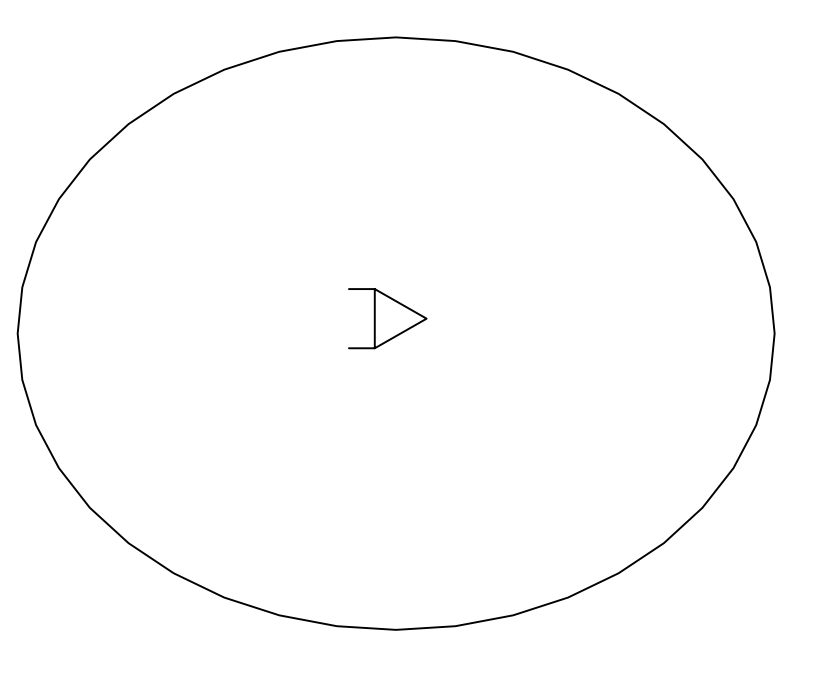
Balsa or Foam

1/8" Balsa Saddle

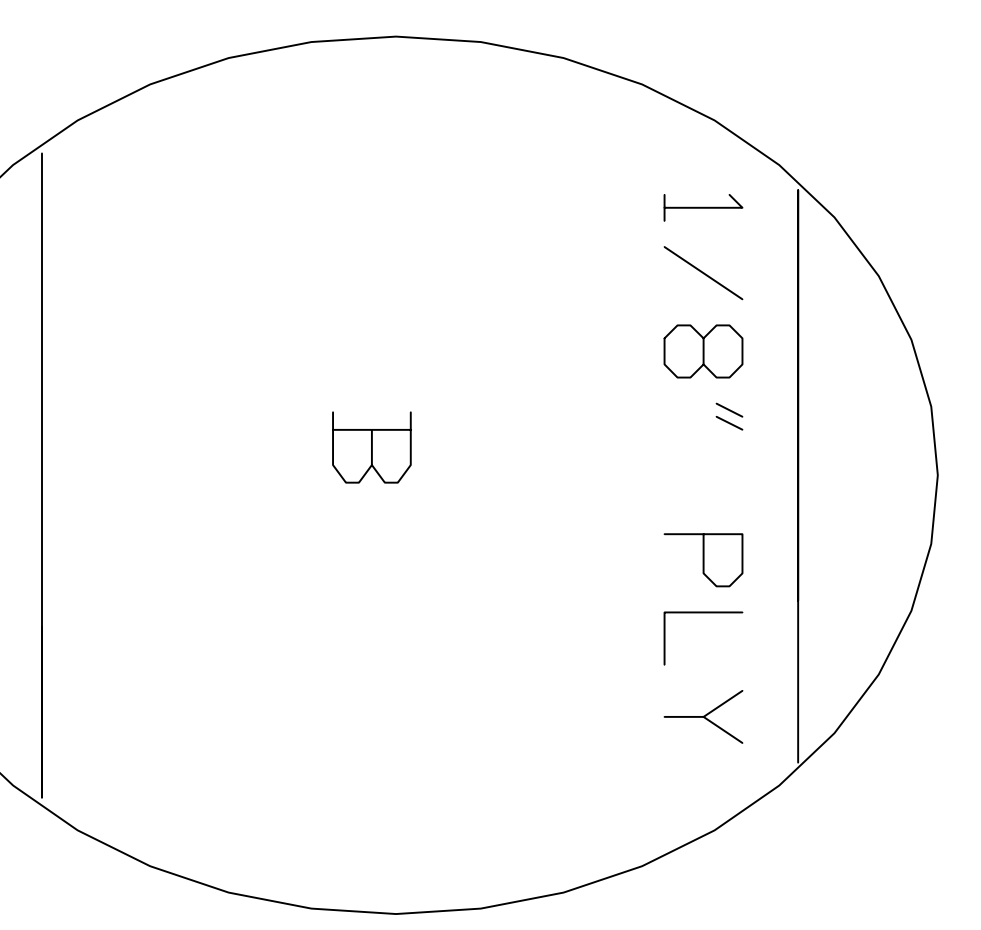
1/8" Balsa

1/8" Balsa

1/8" Balsa

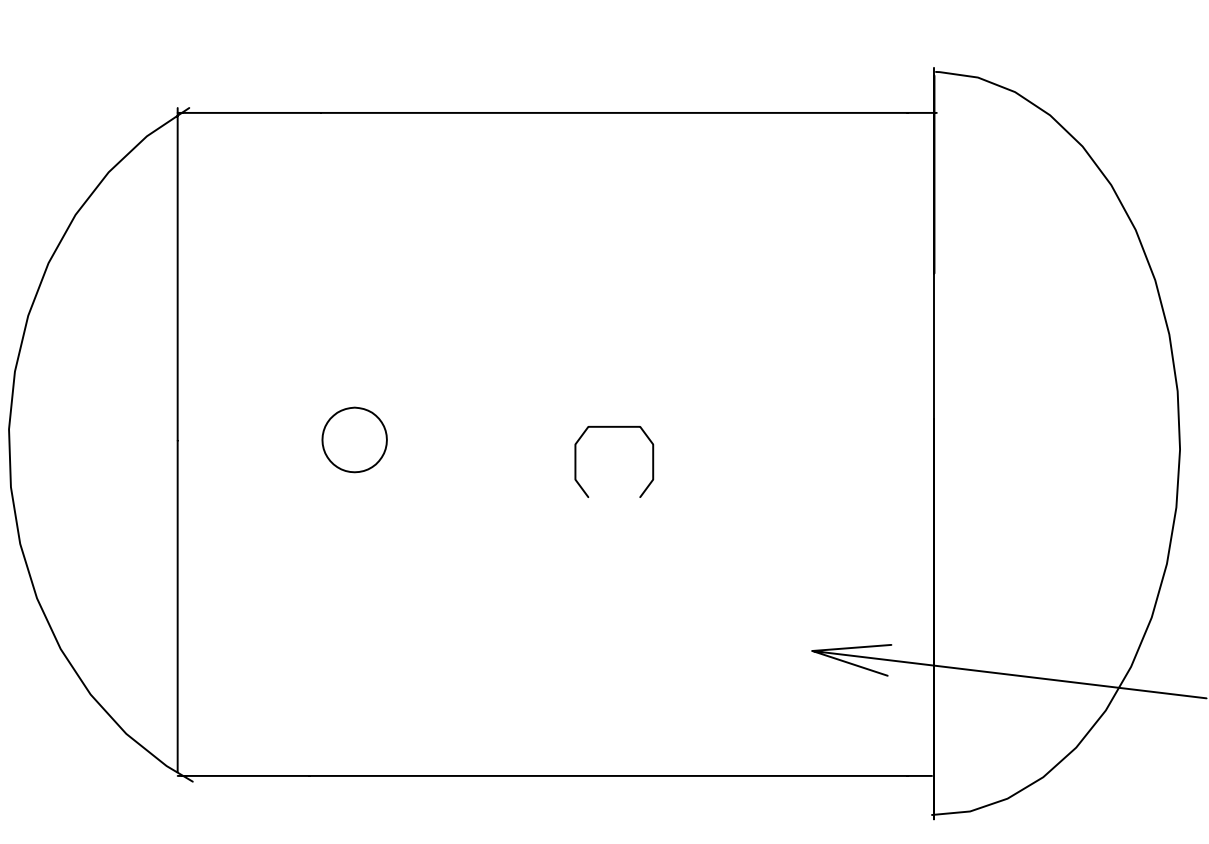


A

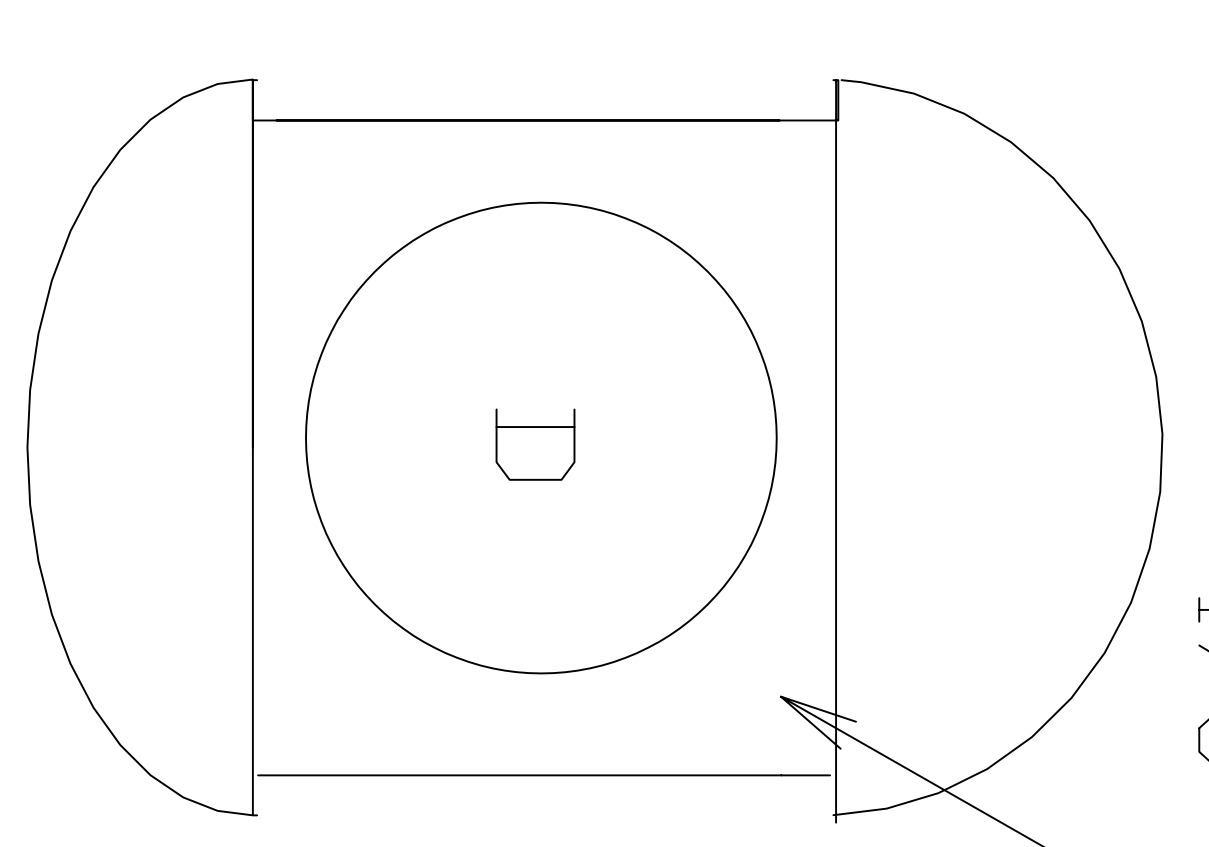


B

1/8" PLY



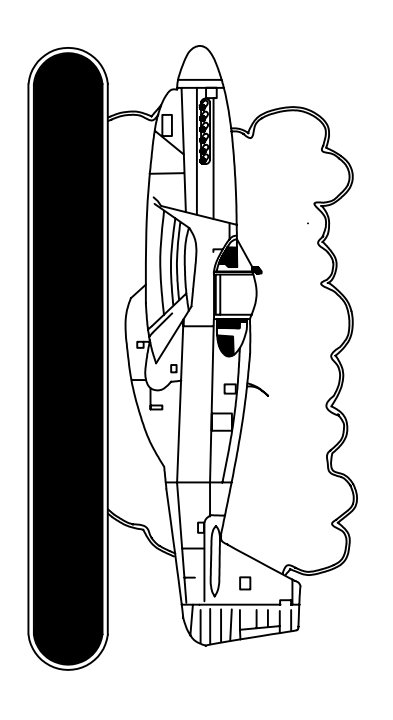
C



D

F8F BEARCAT

ENGINE.... .049
 WING AREA... 156 sq.in
 WINGSPAN.. 32.5 in



COWL OPENING